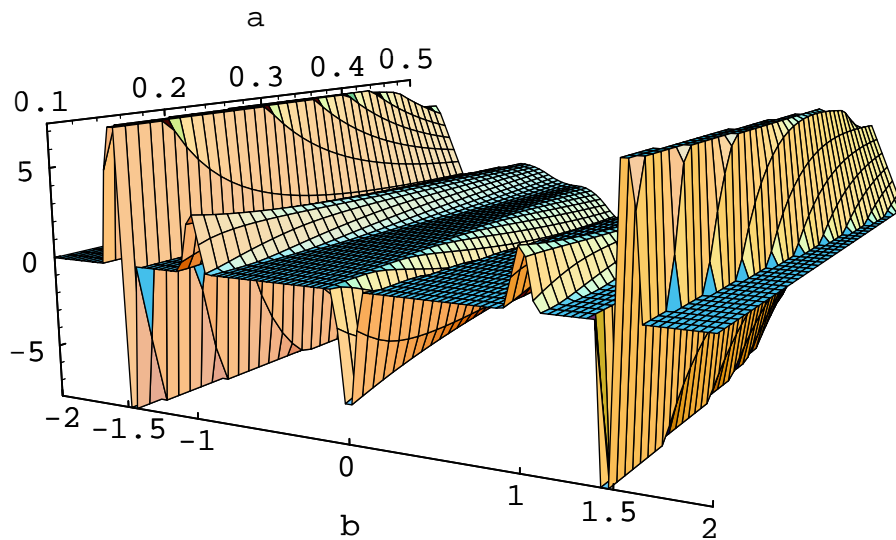




Wavelets (Winter 08/09)

Approximation properties of wavelet transform



$$\lim_{a \rightarrow 0} \|\sqrt{c_\psi} |a|^{-5/2} W_\psi f(a, \cdot) - d^2 f(\cdot)\|_{s-2}$$

with ψ being of order 2, $\int x^2 \psi(x) dx = 2$, and $f \in H^s(\mathbb{R})$, $s < \frac{1}{2}$, is given by

